

HERSCHEL PARTS

Quality Ag Parts Since 1887

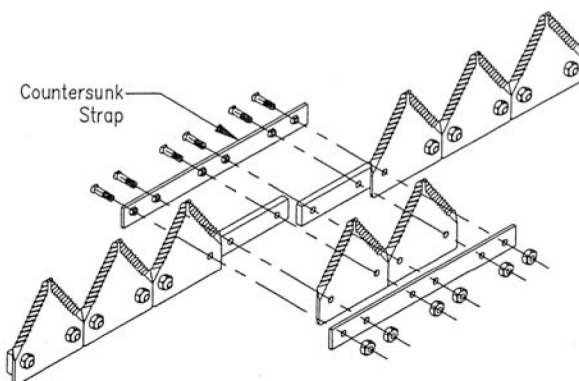
SICKLE SPLICE & REPAIR KIT For 2-1/16" Hole Spacing

Part #C83-0755



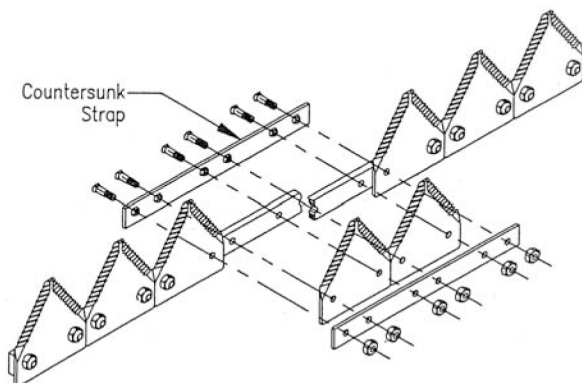
- **QUICKER AND EASIER TO USE**
- **BOLTED OR RIVETED SICKLES**
- **NO ALLEN WRENCH REQUIRED**
- **HEAT-TREATED STRAPS FOR ADDED STRENGTH**

SPLICE APPLICATION



Remove 3 bolts (rivets) from ends of both sickle segments. Insert splice bolt through bottom countersunk strap, knifeback, section and top strap. Start nut on splice bolt with the triangular indents facing out. Hold head of bolt inside countersink in strap and tighten nut. **NO ALLEN WRENCH NEEDED!**

REPAIR APPLICATION



Remove 3 bolts (rivets) from one side of the break and 2 from the other side. One bolt will go through break. Insert splice bolt through bottom countersunk strap, knifeback section and top strap. Start nut on splice bolt with the triangular indents facing out. Hold head of bolt inside countersink in strap and tighten nut. **NO ALLEN WRENCH NEEDED!**